

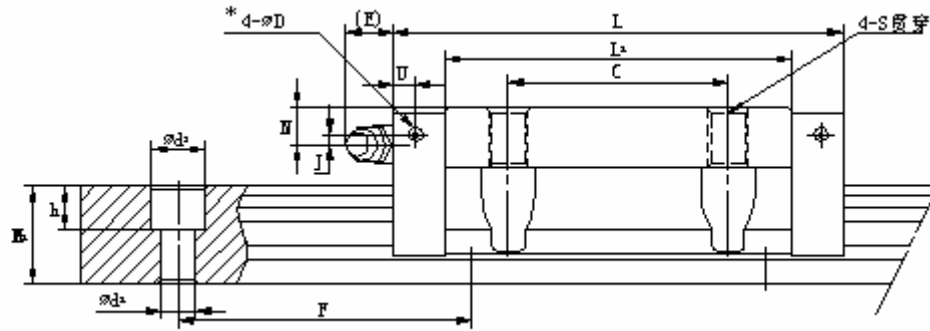
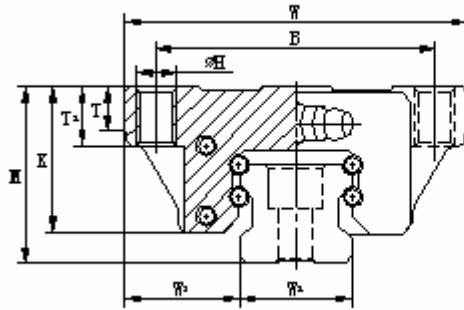
RIT-A type

RIT-LA type

Structural Parameters

Heavy-duty type

Super heavy-duty type



Unit: mm

Type	Dimensions			Slide block size									Reserved hole for transverse threading connector			Guide rail size					Basic Rated Load	
	H	W	L	B	C	H	L1	T	T1	K	N	E	U	J	D	W1	W2	M1	F	d1×d2×h	C KN	C0 KN
RIT15A	24	47	53.5	38	30	M5	38.8	7	11	19.3	4.3	5.5	4.2	4	3	15	16	15	60	4.5×7.5×5.3	8.33	13.5
RIT20A RIT20LA	30	63	78 97	53	40	M6	59 78	7.2	10	25.4	6.5	10	5.7	5.3	3	20	21.5	16.5	60	6×9.5×8.5	14.9 18.4	27.6 37.4
RIT25A RIT25LA	36	70	90 107	57	45	M8	71 88	9	12	30.2	7.5	10	4.5	5.5	3	23	23.5	20	60	7×11×9	20.32 4.0	37.5 47.9
RIT30A RIT30LA	42	90	106 131	72	52	M10	80 105	12	15	35	8	10	7.5	6	5.2	28	31	23	80	9×14×12	35.9 43.0	57.6 74.5
RIT35A RIT35LA	48	100	122 152	82	60 62	M10	93 123	12	15	40.5	8	10	8	5.5	5.2	34	33	26	80	9×14×12	48.2 58.3	74.3 97.5
RIT45A RIT45LA	60	120	137 171	100	80	M12	106 140	14	18	50	10.5	12	9	8	5.2	45	37.5	32	105	14×20×17	53.1 65.5	91.0 122.6
RIT55A RIT55LA	70	140	161 199	116	95	M14	118 156	17	29	57	10	12	10	3.5	5	53	43.5	44	120	16×23×20	93.0 112.2	135.6 177.3
RIT65A RIT65LA	90	170	195 255	142	110	M16	147 207	23	37	76	15	12	13.5	6.5	5	63	53.5	53	150	18×26×22	149.7 188.0	211.8 293.3

Note: In order to prevent foreign materials from entering, the transverse threading nipple is not penetrated. If you want to use it, please contact RIT.

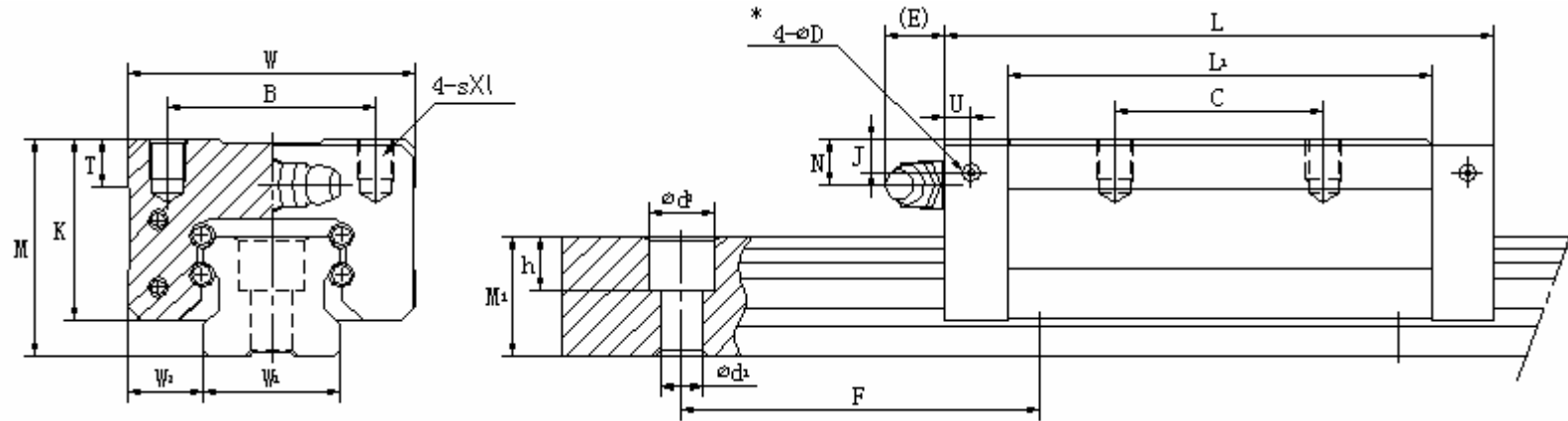
RIT-B type

RIT-LB type

Structural Parameters

Heavy-duty type

Super-heavy-duty type



Unit: mm

Type	Dimensions			Slide block size								Reserved hole for transverse threading nipple			Guide rail size					Basic rated load	
	H	W	L	B	C	S×l	L1	T	K	N	E	U	J	D	W1	W2	M1	F	d1×d2×h	C KN	C0 KN
RIT20B RIT20LB	30	44	78 97	32	36 50	M5×5	59 78	8	25.4	6.5	10	5.7	5.3	3	20	12	16.5	60	6×9.5×8.5	14.9 18.4	27.6 37.4
RIT25B RIT25LB	36	48	90 107	35	35 50	M6×6.5	71 88	8	30.2	7.5	10	4.5	5.5	3	23	12.5	20	60	7×11×9	20.3 24.0	37.5 47.9
RIT30B RIT30LB	42	60	106 131	40	40 60	M8×8	80 105	8.5	35	8	10	7.5	6	5.2	28	16	23	80	9×14×12	35.9 43.0	57.6 74.5
RIT35B RIT35LB	48	70	122 152	50	50 72	M8×10	93 123	15	40.5	8	10	8	5.5	5.2	34	18	26	80	9×14×12	48.2 58.3	74.3 97.5
RIT45B RIT45LB	60	86	137 171	60	60 80	M10×15	106 140	15	50	10.5	12	9	8	5.2	45	20.5	32	105	14×20×17	53.1 65.5	91.0 122.6
RIT65B RIT65LB	90	126	195 255	76	70 120	M16×16	147 207	23	76	15	12	13.5	6.5	5	63	31.5	53	150	18×26×22	149.7 188.0	211.8 293.3

Note: In order to prevent foreign materials from entering, the transverse threading nipple is not penetrated. If you want to use it, please contact RIT.

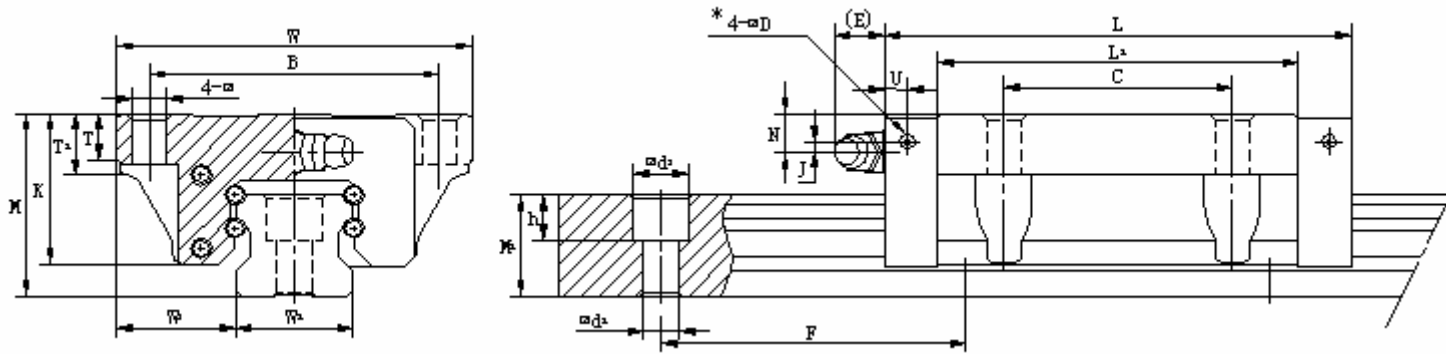
RIT-C type

RIT-LC type

Structural Parameters

Heavy-duty type

super heavy-duty type



Unit: mm

Type	dimensions			Slide block size									Reserved hole for transverse threading nipple			Guide rail size					Basic rated load	
	H	W	L	B	C	Φ	L1	T	T1	K	N	E	U	J	D	W1	W2	M1	F	d1×d2×h	C KN	C0 KN
RIT15C	24	47	53.5	38	30	4.5	38.8	7	11	19.3	4.3	5.5	4.2	4	3	15	16	15	60	4.5×7.5×5.3	8.33	13.5
RIT20C RIT20LC	30	63	78 97	53	40	7	59 78	7.2	10	25.4	6.5	10	5.7	5.3	3	20	21. 5	16. 5	60	6×9.5×8.5	14.9 18.4	27.6 37.4
RIT25C RIT25LC	36	70	90 107	57	45	7	71 88	9	12	30.2	7.5	10	4.5	5.5	3	23	23. 5	20	60	7×11×9	20.32 4.0	37.5 47.9
RIT30C RIT30LC	42	90	106 131	72	52	9	80 105	12	15	35	8	10	7.5	6	5.2	28	31	23	80	9×14×12	35.9 43.0	57.6 74.5
RIT35C RIT35LC	48	100	122 152	82	60 62	11	93 123	12	15	40.5	8	10	8	5.5	5.2	34	33	26	80	9×14×12	48.2 58.3	74.3 97.5
RIT45C RIT45LC	60	120	137 171	100	80	13	106 140	14	18	50	10. 5	12	9	8	5.2	45	37. 5	32	105	14×20×17	53.1 65.5	91.0 122.6
RIT55C RIT55LC	70	140	161 199	116	95	14	118 156	17	29	57	10	12	10	3.5	5	53	43. 5	44	120	16×23×20	93.0 112.2	135.6 177.3
RIT65C RIT65LC	90	170	195 255	142	110	16	147 207	23	37	76	15	12	13. 5	6.5	5	63	53. 5	53	150	18×26×22	149.7 188.0	211.8 293.3

Note: In order to prevent foreign materials from entering, the transverse threading nipple is not penetrated. If you want to use it, please contact RIT.

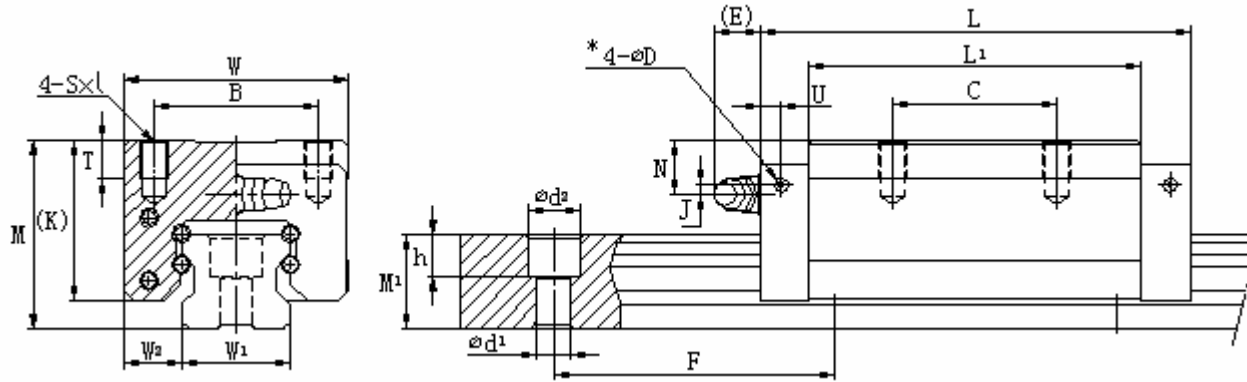
RIT-R type

RIT-LR type

structural Parameters

Heavy-duty type

super heavy-duty type



Unit: mm

type	dimensions			Slide block size								Reserved hole for transverse threading nipple			Guide rail size					Basic rated load	
	H	W	L	B	C	S×I	L1	T	K	N	E	U	J	D	W1	W2	M1	F	d1×d2×h	C KN	C0 KN
RIT15R	28	34	53.5	26	26	M4×5	38.8	6	23.3	8.5	5.5	4.2	8	3	15	10.5	15	60	4.5×7.5×5.3	10.9	18.4
RIT25R RIT25LR	40	48	90 107	35	35 50	M6×8	71 88	8	34.2	11.5	10	4.5	9.5	3	23	12.5	20	60	7×11×9	20.3 24.0	37.5 47.9
RIT30R RIT30LR	45	60	106 131	40	40 60	M8×10	80 105	8.5	38	11	10	7.5	9	5.2	28	16	23	80	9×14×12	35.9 43.0	57.6 74.5
RIT35R RIT35LR	55	70	122 152	50	50 72	M8×12	93 123	15	47.5	15	10	8	12.5	5.2	34	18	26	80	9×14×12	48.2 58.3	74.3 97.5
RIT45R RIT45LR	70	86	137 171	60	60 80	M10×17	106 140	15	60	20.5	12	9	18	5.2	45	20.5	32	105	14×20×17	53.1 65.5	91.0 122.6

RIT55R RIT55LR	80	100	161 199	75	75 95	M12×18	118 156	18	67	20	12	10	3.5	5	53	23.5	44	120	16×23×20	93.0 112.2	135.6 177.3
-------------------	----	-----	------------	----	----------	--------	------------	----	----	----	----	----	-----	---	----	------	----	-----	----------	---------------	----------------

Note: In order to prevent foreign materials from entering, the transverse threading nipple is not penetrated. If you want to use it, please contact RIT.